

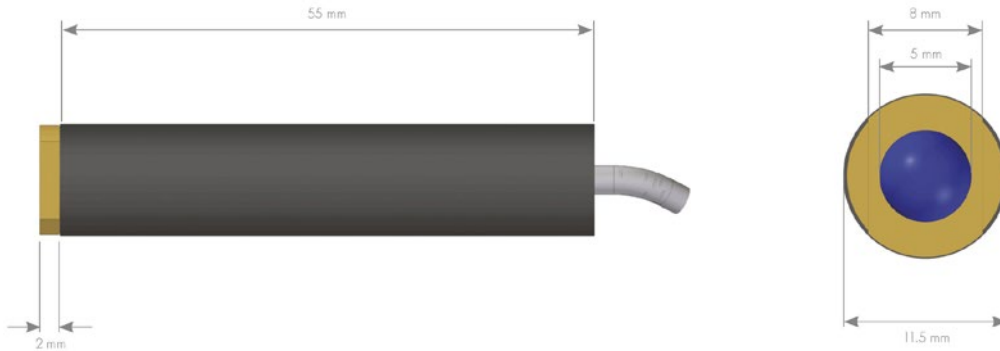
## FLEXPOINT® Laser Modules for Operating Temperatures from -10 °C to 85 °C T85 Series

The T85 series laser modules were specifically developed for higher operating temperatures. In addition to the incorporation of a special laser diode as well as a glass lens, the electronics were also particularly adjusted. The module generates a circular beam which, thanks to the adjustable optics, can be either focussed or collimated. There are two different levels of output power available.

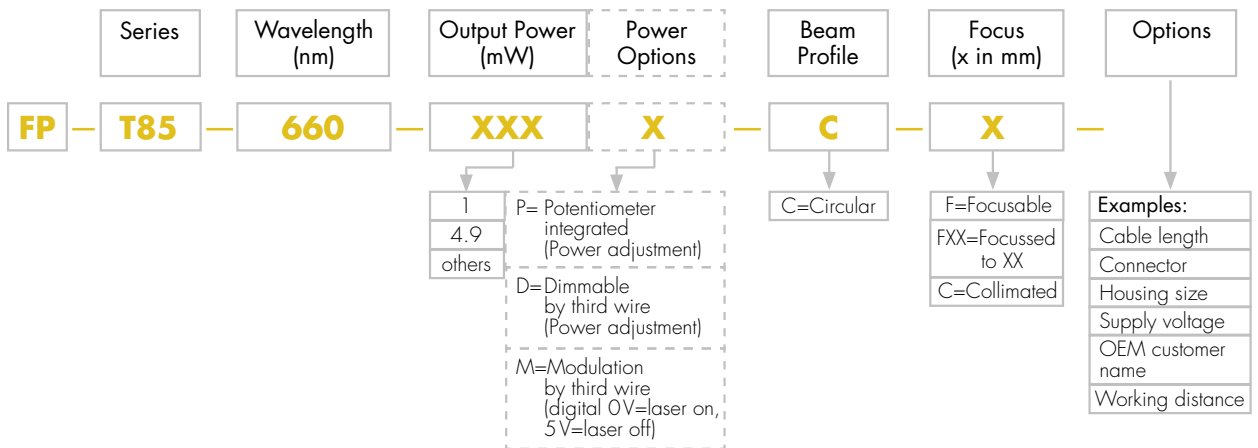


### Specifications

Wavelength	655 nm @ 25 °C / 668 nm @ 85 °C	
Output power	1 mW	4.9 mW
Laser class	2	3R
Power stability	< 8%	
Beam profile	Circular, focusable	
Optics	Glass lens	
Beam divergence	Approx. 0.2 mrad	
Pointing stability	< 50 µrad/°C	
Bore sighting	< 0.5 °	
Supply voltage	4.5 – 6 VDC (optional 4.5 – 30 VDC)	
Power consumption	Approx. 50 mA @ 5 VDC	
Operating temperature	-10 °C to +85 °C	
Calculated MTTF @ 85 °C	> 30,000 hours	
Housing	Aluminum, black anodized	
Dimensions	57 mm x 11.5 mm, see drawing	



### Ordering Code FLEXPPOINT® T85 Series



### Standard Modules

FP-T85-660-1-C-F	(1 mW, circular beam, focusable)
FP-T85-660-4.9-C-F	(4.9 mW, circular beam, focusable)