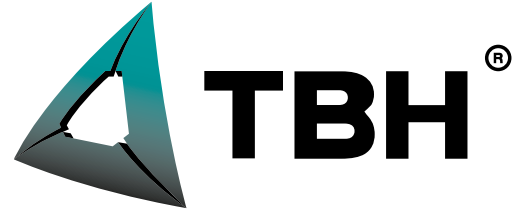
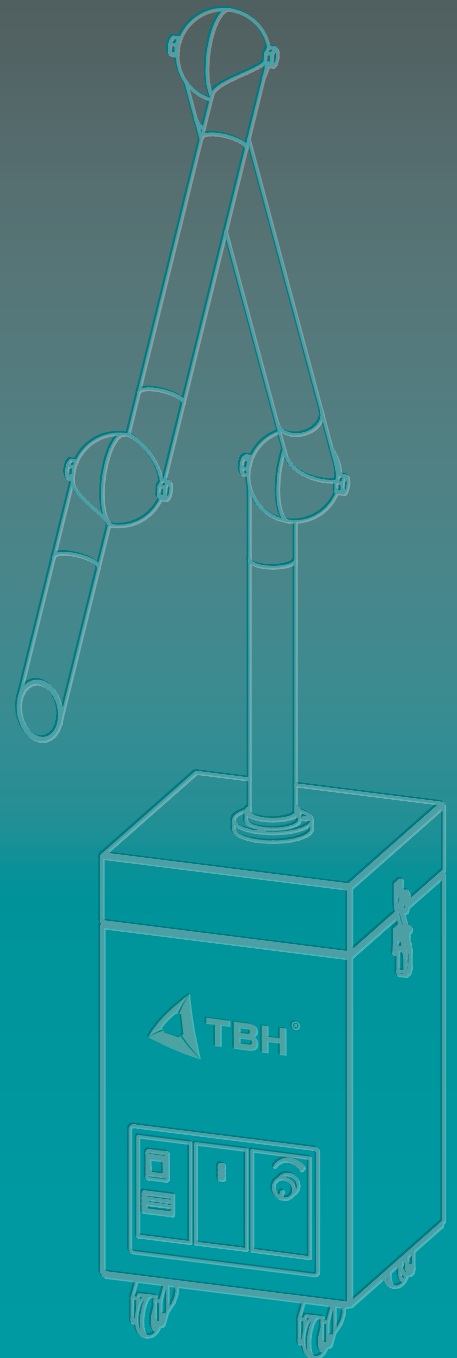
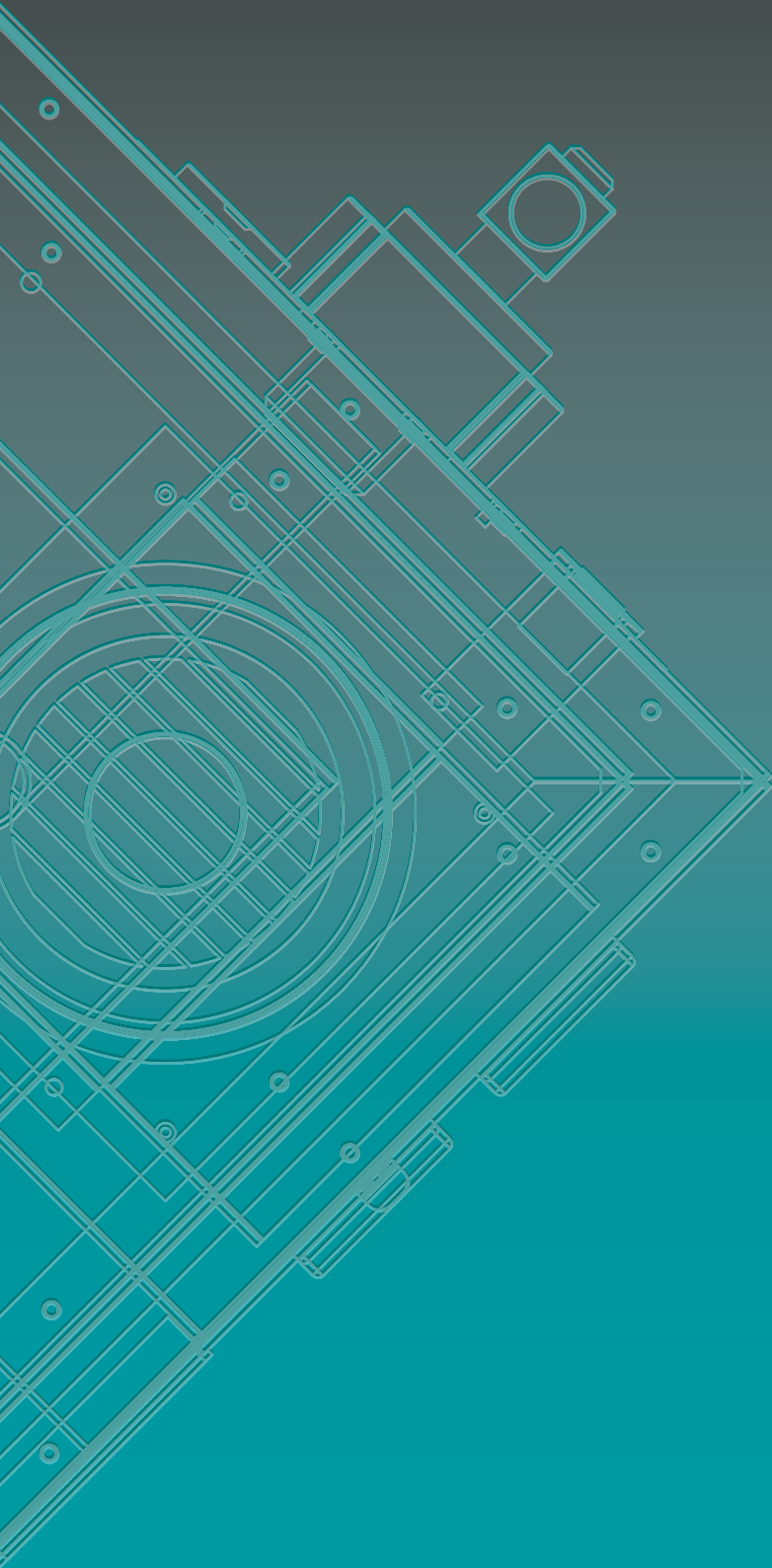


EXTRACTION- AND FILTRATION SYSTEMS
FOR THE FIELDS OF
MEDICINE AND AESTHETIC



EXTRACTION / FILTER / POLLUTION CONTROL // **TECHNOLOGY**

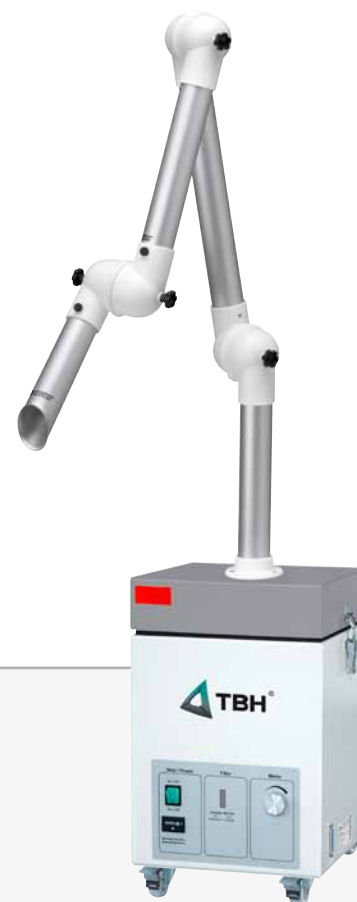


MEDICINE AND AESTHETIC EQUIPMENT

EXTRACTION- AND FILTRATION TECHNOLOGY FOR MEDICAL- AND AESTHETIC APPLICATIONS

Protect yourself, your staff, and your patients with TBH Extraction- and Filtration Systems. In the laser surgery aerosols will be generated with a particle size of $0,1\mu - 2\mu\text{m}$. Those laser aerosols (LGAC = Laser Generated Air-borne Contaminants) consist of several parts of human fabric. This one being removed from the fabric explosively as a steam or gas mixture. Dangers start out from microorganisms like bacteria, viruses and fungi. These have a particle size of smaller than 2μ and can be completely breathing in and therefore are deposited in the lungs. There is an acute infection risk with that for the operating staff and patient.

Please keep in mind, that the surgery facemask doesn't offer protection in front of air-supported particles. Up to 25% of the respiratory is passing the facemask! It was developed around the patient to protect him from an airborne infection by the operation staff.



Similar to image

AREAS OF APPLICATION

- Cosmetic surgery (Skin removal, Hair removal, Alteration of epidermis)
- HF surgery
- Dental medicine
- Endoscopy

THE SYSTEMS INCLUDES NUMEROUS FEATURES:

- Easy and clean filter change from the top
- Extraction arm with four optional air intakes
- Optimize convenience by using the optional foot switch
- Electronic features and display functions
- Differential pressure indicator for monitoring the saturation filters



Many devices in today's market do not offer professional solutions and protection. Professional Solutions for Professionals by TBH with

- **High vacuum extraction - keeps a clear view of the work field**
- **Integrated HEPA Filter with 99,95% efficiency at 0.1μ particle size and 7 liters of activated carbon – protect yourself, your staff and your patient**
- **Easy to control - through start/stop via optional foot switch or interface**
- **Three optional extractors enables different processes and applications**



PRODUCT FEATURES MEDICINE AND AESTHETIC EQUIPMENT

EASY AND CLEAN FILTER CHANGE FROM THE TOP

The TBH design concept enables easy access from the top to the different filter stages. This makes filter changing simple and clean.



EXTRACTION ARM WITH FOUR OPTIONAL AIR INTAKES

Extraction Tube (included in our standard model)

The extraction tube is generally used for smoke and debris where there is no grid cover required.



Extraction tube

1. Extraction Tube with integrated protection grid to avoid extraction of foreign objects.

The grid is a convex design to reduce the risk of material being sucked onto the grid surface during a procedure, blocking air flow. In addition, the protective grid prevents the extraction of foreign objects - non-intentionally or intentionally - that might block the extraction arm (optional).



Extraction Tube with protection grid

2. A reducer fitting that allows for the attachment of smaller diameter hoses (10,5 - 22 mm).

The shown reducer can be attached at the end of the extraction arm. This enables the connection of electro-surgical pencils and their smoke evacuation hand piece. That gives you the opportunity to use one extraction system for all your procedures and applications. These smaller hoses are often used to keep accessibility and visibility at a maximum (optional).



Reduction form part to connect the smaller tube diameters of an electro surgery tool.

3. Transparent extraction hood enables a wider coverage of pollution

The extraction hood - diameter 385 mm - enables a wider coverage of pollution. The transparent design – polycarbonate - allows a free view for the surgeon to the working surface (optional).



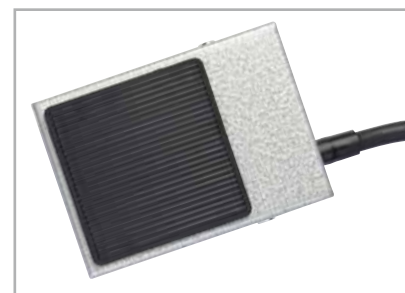
4. Transparent extraction hood enables a wider coverage of pollution

The extraction hood - dimension of 245 x 220 mm - enables a wider coverage of pollution. The transparent design – polycarbonate - allows a free view for the surgeon to the working surface (optional).



OPTIMIZE CONVENIENCE BY USING THE OPTIONAL FOOT SWITCH

The optional foot switch provides a hands free Standby / Run operation. The foot switch is easily connected at the interface.



ELECTRONIC FEATURES AND DISPLAY FUNCTIONS:

- 1) Power switch
- 2) Operating hour meter
- 3) Filter saturation indicator
- 4) Manual speed control



ADSORPTION OF GASEOUS SUBSTANCES

Activated carbon is used for the adsorption of gaseous substances. The activated carbon facilitates a physical adsorption process so a wide range of gases and odours can be collected.



Activated carbon

TECHNICAL DATA MEDICINE AND AESTHETIC EQUIPMENT



EXTRACTION- AND FILTRATION TECHNOLOGY FOR THE FIELDS OF MEDICINE AND AESTHETIC

AREAS OF APPLICATION:

- Cosmetic surgery (Skin renewal, Hair removal, Alteration of epidermis)
- HF surgery
- Dental medicine
- Endoscopy

INCLUDES:

- Complete unit with the interior filter accessories (incl. Exhaust arm)
- additional pre-filter mat set (20 pcs)
- 4 wheels for mobile use
- Power cable



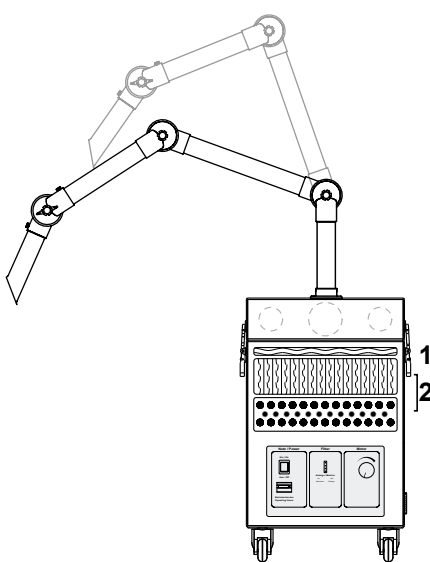
Similar to image

TECHNICAL SPECIFICATIONS	UNIT	BF9 SET-D	BF10 SET-D
Unimpeded air flow rate	m ³ /h	max. 220	max. 250
Effective air flow rate	m ³ /h	20-200	20-200
Max. static pressure	Pa	14000	6000
Voltage	V	230/120	100-240
Frequency	Hz	50/60	50/60
Power input	kW	0.7	0.6
Protection class	-	1	1
Motor and drive system	-	brush motor	brushless motor
Noise level	db(A)	approx. 64	approx. 62
Serial interface	D-sub	25-pin	25-pin
Weight	kg	~ 24	~ 26
Dimensions (HxWxD)	mm	510x300x300	510x300x300
DN 50 intake socket	number	2	2
Intake socket N/D 50	count	2	2
Extraction Arm System 50 with extraction tube	mm	850	850
Colour (cabinet)	RAL	7035	7035
Colour (top cover)	RAL	7037	7037

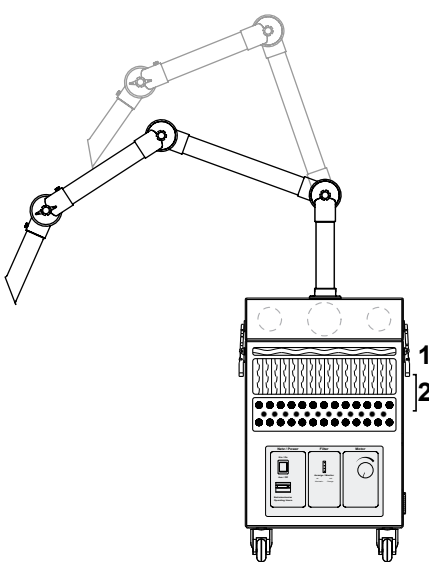
FILTER CONFIGURATION

Pre-filter mat (F5)	✓	✓
Particlefilter (H13)	✓	✓
Activated carbon filter	7 liter	7 liter

ORDER DATA MEDICINE AND AESTHETIC EQUIPMENT



BF9 SET-D



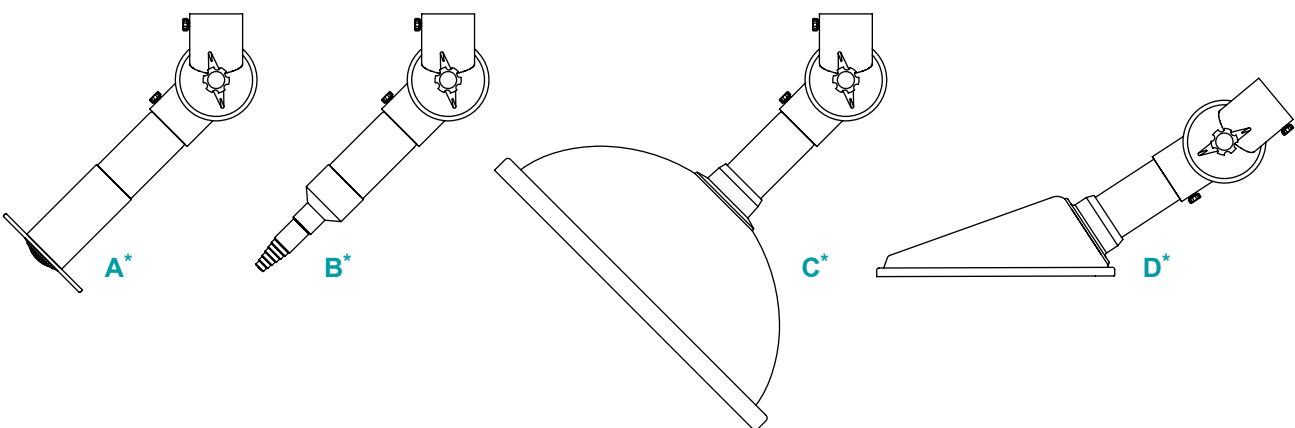
BF10 SET-D

DESCRIPTION	ART.-NO.
BF9 SET-D 230 V	90389
BF9 SET-D 120 V	90390

DESCRIPTION	ART.-NO.
BF10 Set-D 100-240 V	90374

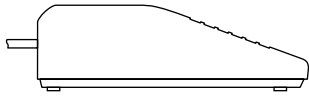
REPLACEMENT FILTERS		
Pre-filter mat set (20 pcs)	11141	1
2-Step-filter*	11140	2

**Particlefilter and Activated carbon filter*

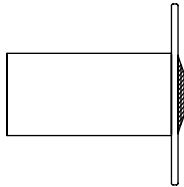


** A, B, C, D - optional*

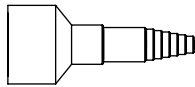
ACCESSORIES



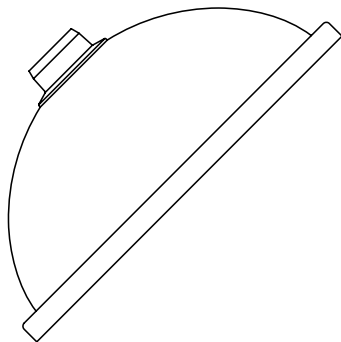
DESCRIPTION	USE	ART.-NO.
foot-switch	BF9 Set-D BF10 Set-D	15627



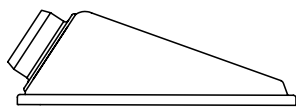
DESCRIPTION	USE	ART.-NO.
extraction tube with grid	BF9 Set-D BF10 Set-D	12777



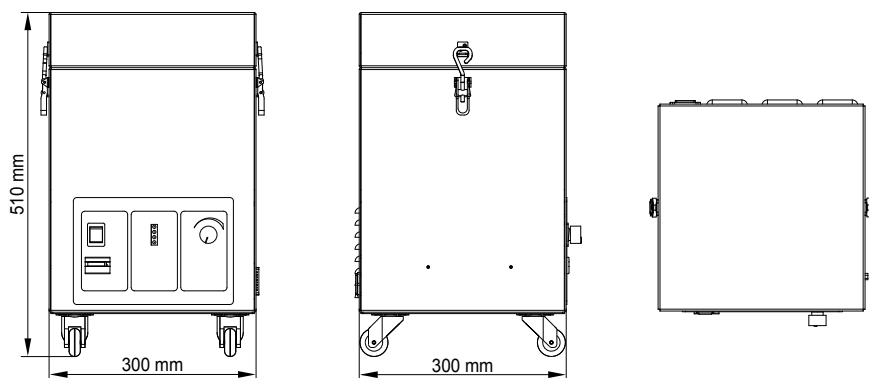
DESCRIPTION	USE	ART.-NO.
hose connecting laboratory tubing	BF9 Set-D	15232



DESCRIPTION	USE	ART.-NO.
extraction hood round 385 mm (polycarbonate)	BF9 Set-D BF10 Set-D	10359



DESCRIPTION	USE	ART.-NO.
extraction hood PETG 245x220 mm white	BF9 Set-D BF10 Set-D	10308


BF9 / BF10 Set-D



TBH GmbH

EXHAUST- AND FILTRATION TECHNOLOGY

GERMANY

Heinrich-Hertz-Straße 8 / DE-75334 Straubenhardt
Tel.: +49 (0)7082 / 94 73 0 / Fax: +49 (0)7082 / 94 73 20
info@tbh.eu / www.tbh.eu

